

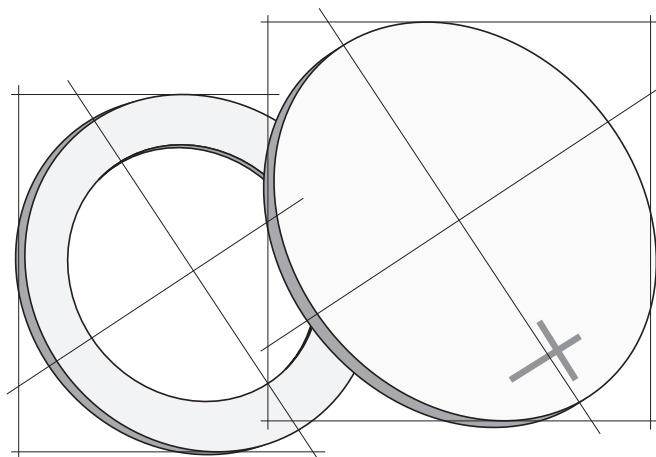
The Resurrection

RISEN



Necklace • Bracelet • Brooch • Ring • Earrings

This line of jewellery «RISEN» represents the Resurrection. The empty tomb, the rolled stone and the overturned cross.

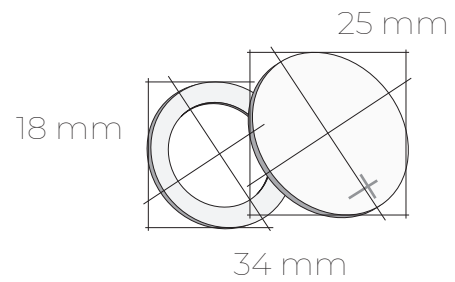


 JC2033

Large Necklace **New!**

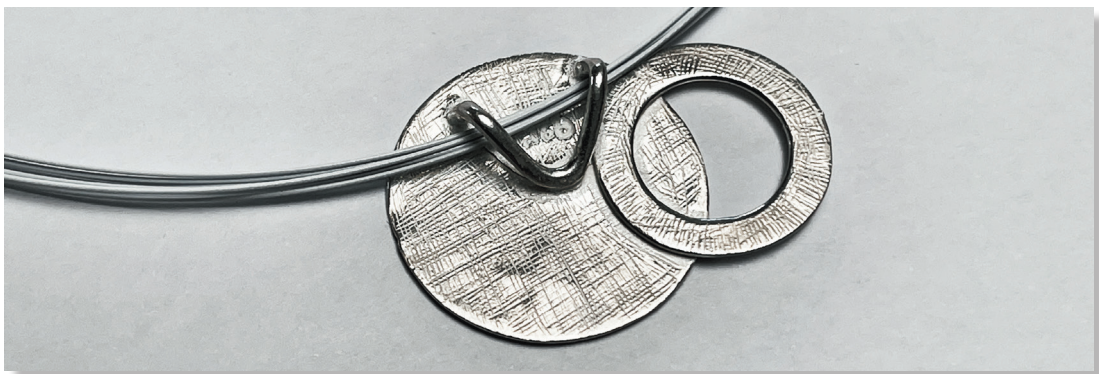
Pendant:

- Height of the « tomb »: 18 mm
- Height of the « stone »: 25 mm
- Total width: 34 mm



Neck chain:

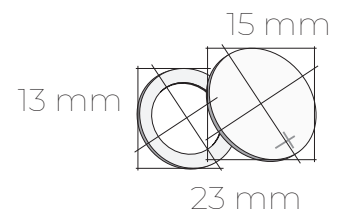
- 43 cm long
- Multi-strand nylon metal 0.5mm, black ou light grey
- Fine silver chain



Necklace

Pendant:

- Height of the « tomb »: 13 mm
- Height of the « stone »: 15 mm
- Total width: 23 mm



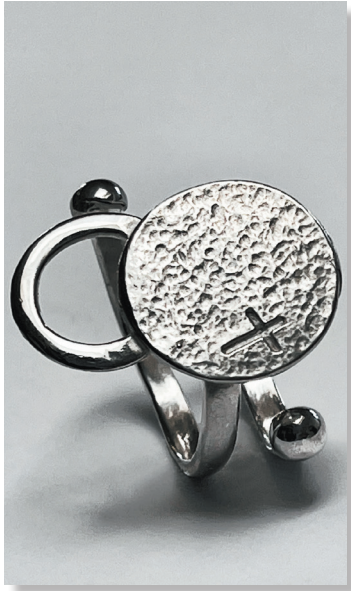
Neck chain:

- 43 cm long
- Multi-strand nylon metal 0.5mm, black or light grey
- Fine silver chain



Ring **New!**

- Adjustable size



Earrings **New!**

- Sold in pairs



Bracelet

- Adjustable waxed cotton cord (black, brown and chocolate)
- Adjustable polyester lanyard (red and burgundy)
- Closing system



Pin

- For suit, jacket or shirt



Info
and order



 **JC2033**

www.JC2033.world
info@JC2033.world